



Piston Pressure Switch AF30 – Type HDS:

- Snap action micro switch
- 250V / 6A
- Change over contact SPDT
- Piston with PTFE-sealing
- Adjustment range 10...320bar higher on request
- Max. system pressure 350bar higher on request
- Preset ex works possible
- Easy adjustment via adjustment knob
- Rugged design
- E-connection DIN EN 175301-803A
- 360° turnable fluid connection

Order code

HDS - A - BBB - C - D - E

| | | |
|----------|---------------|--|
| A | Output | |
| | 1 = SPDT | |

| | | |
|------------|----------------------------------|-------------------|
| BBB | Pressure adjustment range | |
| | 030 = 10...30bar | 200 = 20...200bar |
| | 080 = 10...80bar | 250 = 20...250bar |
| | 120 = 10...120bar | 320 = 30...320bar |
| | 160 = 10...160bar | |

| | | |
|-----------|----------------------------------|--------------|
| C | Piston with PTFE + O-ring | |
| | K = NBR | -20...+80°C |
| | T = low temperatur-NBR | -40...+80°C |
| | E = EPDM | -40...+100°C |
| | F = FVMQ | -40...+100°C |
| V = Viton | 0...+100°C | |

| | | |
|----------|---|--|
| D | Fluid connection | |
| | 2 = female G1/4" turnable | |
| | 5 = vertical flange acc. to DIN ISO 16873 | |
| | 7 = male G1/4" turnable with sealing | |
| | 8 = male M10x1 turnable with sealing | |
| | F = male 1/4NPT turnable | |
| | G = male 7/16-20 UNF turnable | |
| | P = male R1/4" turnable | |
| | U = female Rc1/4" turnable | |

| | | |
|----------|------------------------------|--|
| E | Electrical connection | |
| | 1 = plug DIN EN 175301-803A | |

Options

| | |
|----------------|---|
| xxx bar | set point adjustment increasing or decreasing, factory preset |
| 011000 | socket DIN EN 175301-803A |
| 011001 | socket DIN EN 175301-803A with 2LED, 24V |

Order sample: HDS-1-250-V-5-1

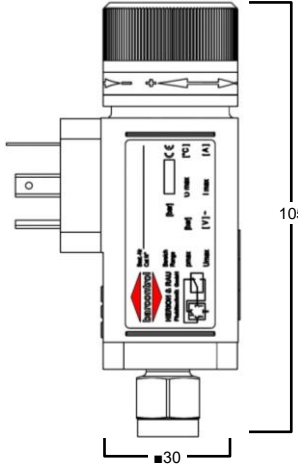
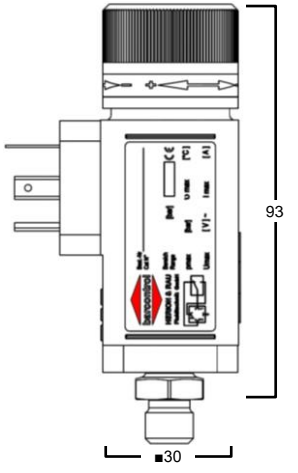
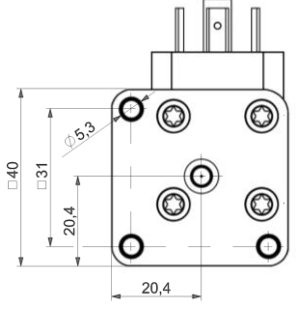
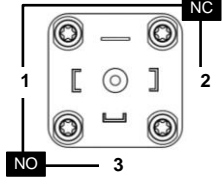
Pressure Switch HDS
Output: SPDT
Adjustment range: 20...250bar
Piston with sealing: Viton
Fluid connection: vertical flange acc. to DIN ISO 16873
E-connection: DIN EN 175301-803A

Technical data

| | |
|---------------------------|---|
| Construction: | snap action micro switch AF30 |
| Operating fluid: | selflubricating fluids (e.g. hydraulic oil), neutral fluids/gases |
| Mechanical installation: | over fluid connection |
| Mounting position: | any |
| Max. system pressure: | 350bar |
| Repeatability: | max. $\pm 2\%$ of full scale at room temperature |
| Hysteresis*: | guide value: 5bar + 5...10% of set point, not adjustable |
| Life cycles, mech: | $> 5 \times 10^6$ |
| Max. switching frequency: | $\sim 1\text{Hz}$ |
| Temperature range*: | $-40 \dots +100^\circ\text{C}$ as a function of used elastomere |
| Vibration resistance: | 10g (10 ... 2000Hz) sinus acc. to ISO 16750-3 |
| Shock resistance: | 30g, 14ms shaped sinus acc. to DIN 40046, T7 |
| Switching element: | snap action micro switch with self cleaning pins |
| CE-mark: | acc. to EU-standards: 2014/35/EU (LVD); 2014/68/EU (PED); 2011/65/EU (RoHS) |
| Protection class: | IP65 acc. to DIN EN 60529 |
| Weight: | $\sim 0,35\text{kg}$ |

* please contact the technical support for alternative or special requirements regarding hysteresis and temperature
Subject to technical alternations!

Electrical connection data – dimensions

| | Dimensions G1/4 female turnable | Dimensions: G1/4 male turnable | Dimensions: Vertical flange |
|-----------|--|--|---|
| |  |  |  |
| | DIN EN 175301-803A | | |
| |  | | |
| | 250VAC | | 24VDC |
| ohmic | 6A | | 4A |
| inductive | 6A | | 4A |

90137.0218